

Maximizer™ 24 ReUse

ReUsable Hollow Fiber Cartridges High Flux — Consistent Results



The **Maximizer™ 24 ReUse** is a production scale hollow fiber cartridge designed for biopharmaceutical concentration/diafiltration and clarification unit operations. With a surface area of 5.42 m², the **Maximizer™ 24 ReUse** HF cartridge can accommodate batch volumes between 100L and 500L in a single cartridge system, and several thousand liters with a multi cartridge set up. The **Maximizer™ 24 ReUse** HF cartridge has a permeate flow rate for ultrafiltration processes of up to 325 L/hr.

The **Maximizer™ ReUse** cartridges are ideal for concentration and diafiltration of peptides, enzymes, monoclonal antibodies and other proteins and vaccines as well as cell harvest and cell clarification.

The **Maximizer™ 24 ReUse** cartridges utilize WaterSep's well accepted antifouling, low binding, modified polyethersulfone (m-PES), membrane and are offered in molecular weight cut-offs (MWCO) that range from 3K to 750K and in pore sizes from 0.1µm to 0.65µm, with Lumen ID's of 1.0 mm and 2.0 mm. The antifouling properties of the m-PES membranes typically provide superior process flux and higher product recovery than do most other crossflow devices.

The **Maximizer™ 24 ReUse** cartridges are offered with the same path length as other high performance WaterSep hollow fiber cartridges, which makes scale down easy and predictable.

The **Maximizer™ ReUse** cartridges can be sanitized and cleaned in 0.5-1.0 N NaOH, and stored in 0.1 N NaOH between uses.

For those applications where cleaning and reuse is acceptable, the **Maximizer™ 24 ReUse** cartridges offer:

- Self-containment – no assembly – ease of use.
- Very cost effective in large scale format (hollow fiber products that are 4x-6x less expensive than most cassettes and do not require any expensive hardware for installation).
- Gentle processing of cells, biomolecules and viruses.
- Low hold-up volume.
- High process flux, due to antifouling low binding m-PES membrane chemistry.
- Robust, strong, multi-use hollow fiber membranes.
- High yields and easy cleaning.
- 100% integrity tested and ready to use cassettes.
- Very tight specifications and high lot-to-lot membrane consistency.
- Easy and reliable scale down.

TYPICAL APPLICATIONS

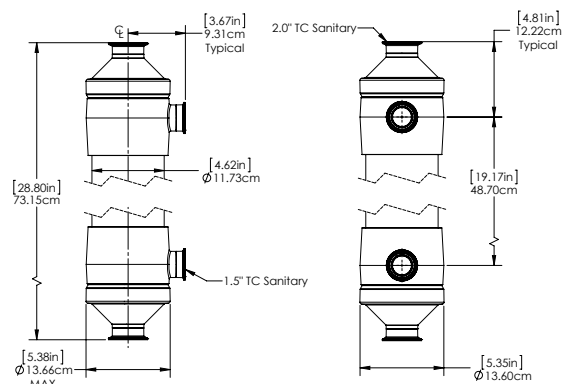
Clarification of cell cultures and fermentation suspensions in primary recovery applications.

Cell-harvest. Excellent results have been achieved with both *E. coli* whole cells and *E. coli* lysates, as well as other microbial process streams.

Concentration and purification of vaccines.

Concentration and diafiltration of gene therapy products.

Concentration/diafiltration of monoclonal antibodies, recombinant proteins, biological macromolecules and peptides.



Maximizer™ 24 ReUse

ORDERING INFORMATION

Place orders online at www.watersep.net, or email purchase orders to orders@watersep.net, sales order confirmation to follow.

Maximizer™ 24 ReUse HF Cartridge

1.0mm Fiber ID
BA XXX 10MAX24 SH, 1/pkg

2.0mm Fiber ID
BA XXX 20MAX24 SH, 1/pkg
*Available in 10K, 50K, 300K-750K and 0.1µm-0.65µm

Replace XXX with:

003 for 3K	100 for 100K	910 for 0.1µm
005 for 5K	300 for 300K	920 for 0.2µm
010 for 10K	500 for 500K	945 for 0.45µm
030 for 30K	750 for 750K	965 for 0.65µm
050 for 50K		

SPECIFICATIONS

Cartridge Dimensions
28.8" (73.15 cm) x 4.62" (11.73 cm)

Membrane Surface Area
58.4 ft² (5.42 m²)

Molecular Weight Cut-off
3K, 5K, 10K, 30K, 50K, 100K, 300K, 500K, 750K

Membrane Pore Size
0.1µm 0.2µm, 0.45µm and 0.65µm

Fiber ID
1.0mm, 2.0mm

MATERIALS OF CONSTRUCTION

The cartridge as assembled is USP Class VI compliant.

Membrane
Modified Polyethersulfone (m-PES)

Housing
White Polysulfone

Encapsulant
Medical Grade Epoxy

CONNECTIONS

Feed/Retentate
2.0" TC

Permeate
1.5" TC

Technical Support: experttalk@watersep.net
or call 508.970.0089 x 204.