

▲ BioProducer™ 41 Green

Single Use Gamma Irradiated Hollow Fiber Cartridges. Easy and Reliable



The BioProducer™ Green production scale hollow fiber cartridges are designed for biopharmaceutical concentration/diafiltration and clarification unit operations. With a surface area of 5.0 m², the BioProducer™ 41 Green HF cartridge can accommodate batch volumes between 100L and 500L with an average permeate flow rate of 150 to 300 L/hr for ultrafiltration applications and 100 to 200 L/hr for microfiltration applications.

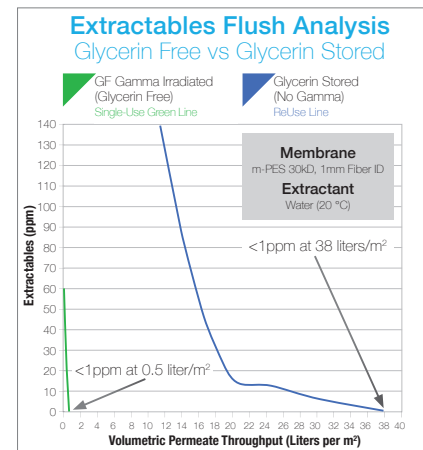
The BioProducer™ Green cartridges are gamma-irradiated and ready to use, and utilize WaterSep's antifouling, low binding, modified polyethersulfone membrane (m-PES) which provides a process flux and product recovery that typically exceeds other crossflow devices.

The BioProducer™ 41 Green hollow fiber cartridges are offered with the same path length as other high performance WaterSep HF cartridges, which makes scale up and scale down easy and predictable.

BioProducer™ Green cartridges are also offered as part of fully integrated open architecture single use crossflow assemblies available with pressure sensors, flow meters, pumpheads, aseptic connectors or bags.

The BioProducer™ 41 Green cartridges offer a true single use crossflow system that provides:

- Significant cost savings over traditional cassette formats.
- Gamma irradiated - ready to use - no pre-rinse required.
- No humectants - 80x less extractables, see [Extractables Flush Analysis](#).
- No time-consuming cleaning validation.
- Reduced risk of cross contamination.
- Consistent membrane performance batch to batch.
- Self-contained – no assembly – no expensive hardware – no membrane installation.
- Every HF cartridge is integrity tested and has an individual lot number for easy traceability.



TYPICAL APPLICATIONS

- Clarification of **mammalian/CHO cell** cultures, providing maximum protein recovery.
- **Cell-harvest**. Excellent results have been achieved with both *E. Coli* whole cells and *E. Coli* lysates, as well as other microbial process streams.
- Concentration and purification of **vaccines**.
- Concentration and diafiltration of **gene therapy** products.
- Concentration/diafiltration of **monoclonal antibodies, recombinant proteins, biological macromolecules and peptides**.

BioProducer™ 41 Green

ORDERING INFORMATION

Place orders online at www.watersep.net, or email purchase orders to orders@watersep.net, sales order confirmation to follow.

BioProducer™ 41 Green HF Cartridge

0.5 mm Fiber ID

SU XXX 05PR41 S3, 3/pkg

SU XXX 05PR41 S6, 6/pkg

1.0 mm Fiber ID

SU XXX 10PR41 S3, 3/pkg

SU XXX 10PR41 S6, 6/pkg

2.0 mm Fiber ID*

SU XXX 20PR41 S3, 3/pkg

SU XXX 20PR41 S6, 6/pkg

*Available in 10K, 50K, 300K-750K and 0.1 μm - 0.45 μm

Replace XXX with:

003 for 3K	050 for 50K	750 for 750K
005 for 5K	100 for 100K	910 for 0.1 μm
010 for 10K	300 for 300K	920 for 0.2 μm
030 for 30K	500 for 500K	945 for 0.45 μm

SPECIFICATIONS

Cartridge Dimensions

3.50" (8.89 cm) x 44.49" (113.00 cm)

Membrane Surface Area

53.80 ft² (5.0 m²)

Molecular Weight Cut-off

3K, 5K, 10K, 30K, 50K, 100K, 300K, 500K, 750K

Membrane Pore Size

0.1 μm , 0.2 μm and 0.45 μm

Fiber ID

0.5 mm, 1.0 mm, 2.0 mm

MATERIALS OF CONSTRUCTION

The cartridge as assembled is USP Class VI compliant.

Membrane

Modified Polyethersulfone (m-PES)

Housing

White Polysulfone

Encapsulant

Medical Grade Epoxy

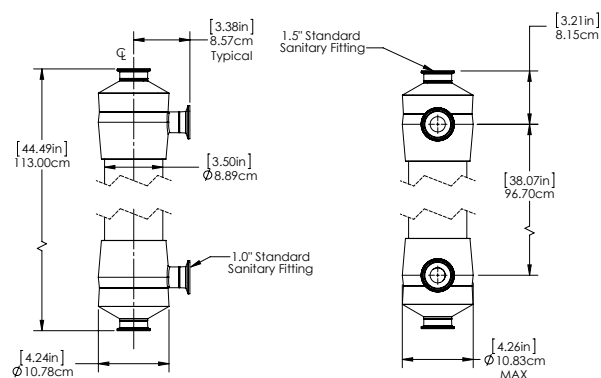
CONNECTIONS

Feed/Retentate

1.5" TC Standard Sanitary Fitting

Permeate

1.0" TC Standard Sanitary Fitting



Technical Support: experttalk@watersep.net
or call 508.970.0089 x 204.