

Investigator™ 24 Green

Single Use Gamma Irradiated Hollow Fiber Cartridges. Easy and Reliable



The Investigator™ Green crossflow hollow fiber membrane cartridges are designed for pilot scale and small scale production and is the perfect tool for process development. With a surface area of 0.28 m², the Investigator™ 24 Green can accommodate batch volumes that range from 2L to 12L with an average permeate flow rate of 8.1 to 16.2 L/hr for ultrafiltration applications and 5.4 to 10.8 L/hr for microfiltration applications.

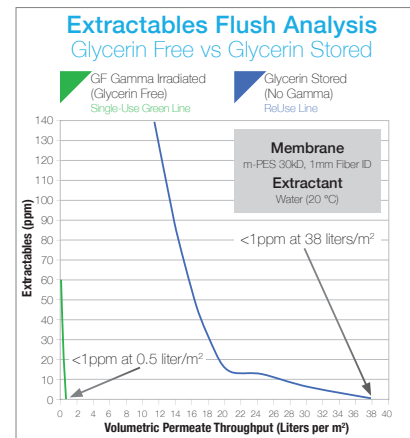
The Investigator™ Green cartridges are gamma irradiated and ready to use, and utilize WaterSep's well accepted antifouling, low binding, modified polyethersulfone membrane (m-PES) which provides a process flux and product recovery that typically exceeds other crossflow devices.

The Investigator™ 24 Green hollow fiber cartridges are offered with the same path length as other high performance WaterSep HF cartridges, which makes scale up/scale down easy and predictable.

Investigator™ Green cartridges are also offered as part of fully integrated open architecture single use crossflow assemblies available with pressure sensors, flow meters, pumpheads, aseptic connectors or bags.

The Investigator™ 24 Green cartridges offer a true single use crossflow system that provides:

- Significant cost savings over traditional cassette formats.
- Gamma irradiated - ready to use - no pre-rinse required.
- No humectants - 80x less extractables, see [Extractables Flush Analysis](#).
- No need for time-consuming cleaning validation.
- Reduced risk of cross contamination.
- Consistent membrane performance batch to batch.
- Self-contained – no assembly – no expensive hardware – no membrane installation.
- Every HF cartridge is integrity tested and has an individual lot number for easy traceability.



TYPICAL APPLICATIONS

- Clarification of mammalian/**CHO cell** cultures and maximizing protein recovery.
- **Cell-harvest**. (Excellent results have been achieved with both *E. Coli* whole cells and *E. Coli* lysates, as well as other microbial process streams.)
- Concentration and purification of **vaccines**.
- Concentration and diafiltration of **gene therapy** products.
- Concentration/diafiltration of **monoclonal antibodies, recombinant proteins, biological macromolecules and peptides**.

Investigator™ 24 Green

ORDERING INFORMATION

Place orders online at www.watersep.net, or email purchase orders to orders@watersep.net, sales order confirmation to follow.

Investigator™ 24 Green HF Cartridge

SU XXX 05INV24 S3, 3/pkg

SU XXX 05INV24 S6, 6/pkg

1.0 mm Fiber ID

SU XXX 10INV24 S3, 3/pkg

SU XXX 10INV24 S6, 6/pkg

2.0 mm Fiber ID*

SU XXX 20INV24 S3, 3/pkg

SU XXX 20INV24 S6, 6/pkg

*Available in 10K, 50K, 300K-750K and 0.1 μm - 0.45 μm

Replace XXX with:

| | | |
|-------------|--------------|----------------------------|
| 003 for 3K | 050 for 50K | 750 for 750K |
| 005 for 5K | 100 for 100K | 910 for 0.1 μm |
| 010 for 10K | 300 for 300K | 920 for 0.2 μm |
| 030 for 30K | 500 for 500K | 945 for 0.45 μm |

SPECIFICATIONS

Cartridge Dimensions

1.32" (3.34 cm) x 23.50" (59.70 cm)

Membrane Surface Area

3.0 ft² (0.28 m²)

Molecular Weight Cut-off

3K, 5K, 10K, 30K, 50K, 100K, 300K, 500K, 750K

Membrane Pore Size

0.1 μm , 0.2 μm and 0.45 μm

Fiber ID

0.5 mm, 1.0 mm, 2.0 mm

MATERIALS OF CONSTRUCTION

The cartridge as assembled is USP Class VI compliant.

Membrane

Modified Polyethersulfone (m-PES)

Housing

White Polysulfone

Encapsulant

Medical Grade Epoxy

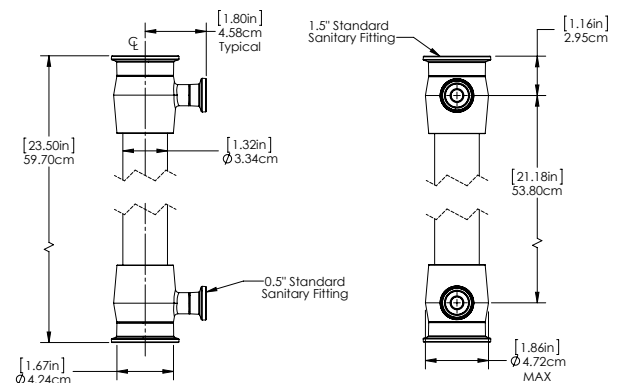
CONNECTIONS

Feed/Retentate

1.5" Standard Sanitary Fitting

Permeate

0.5" Standard Sanitary Fitting



Technical Support: experttalk@watersep.net
or call 508.970.0089 x 204.