

Investigator24 Steamer

Autoclavable, Gamma Irradiated Hollow Fiber Cartridges Easy and Reliable



Investigator Steamer hollow fiber membrane products incorporate our latest glycerin free low extractables, heat resistant modified polyethersulfone (m-PES) membrane technology. All **Steamer** products are gamma irradiated and ready to use without any tedious pre-rinse. The **Steamer** HF cartridges are the product of choice for perfusion applications. They can be repetitively autoclaved in an ATF perfusion unit or as a stand alone HF cartridge. Please contact us for the correct **Steamer** product for ATF 2-10 models at experttalk@WaterSep.net. The **Investigator Steamer** is also available as a single use assembly for crossflow perfusion applications.

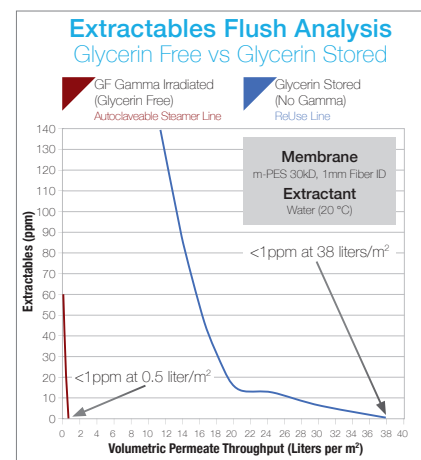
The extractables level for the **Investigator Steamer** is approximately 80x less than a glycerin conditioned membrane, see [Extractables Flush Analysis](#). After a quick buffer conditioning the HF cartridge is ready to be used or autoclaved. For autoclaving directions, please see the [Steamer Validation Guide](#) at www.WaterSep.net.

The **Investigator24 Steamer** crossflow hollow fiber membrane cartridges are positioned between the pilot scale **Researcher Steamer** and the production scale **mini-BioProducer Steamer** cartridges. With a membrane surface area of 2700 cm², the **Investigator24 Steamer** can accommodate batch volumes that range from 2L to 12L with a typical permeate flow rate of 8-16 L/hr for ultrafiltration applications and 5-11 L/hr for microfiltration applications.

The **Investigator24 Steamer** hollow fiber cartridge products are in most applications superior to conventional techniques, like centrifugation, depth filters, cassette crossflow systems or dialysis bags.

The **Investigator24 Steamer** cartridges offer true ready to use crossflow filtration that is:

- Gamma irradiated - ready to use - no rinse.
- Humectant free - 80% less extractables, see [Extractables Flush Analysis](#).
- Free of time-consuming cleaning validation.
- At a reduced risk of cross contamination.
- Consistent, membrane performance batch to batch.
- Self-contained and requires no assembly, no expensive hardware and no membrane installation.
- Significantly less expensive than traditional cassette formats.
- Offered in the same path length as all other WaterSep 24" (60 cm) hollow fiber cartridges for exact and predicable scale up and scale down.
- Every HF cartridge is integrity tested and has an individual lot number for easy traceability.



TYPICAL APPLICATIONS

- **Cell perfusion** with an ATF system or conventional pump operated perfusion. (Bioreactor and **Steamer** hollow fiber assemblies can be autoclaved simultaneously.)
- Pilot scale **aseptic/sterile UF-MF applications** where autoclaving is required.
- Rapid clarification of small volumes ranging from 2L to 12L of **cell culture, fermentation solutions and virus/vaccine suspensions**.
- Concentration and diafiltration of **monoclonal antibodies, enzymes, blood components and other proteins**.

Investigator24 Steamer

ORDERING INFORMATION

Place orders online at www.watersep.net, or email purchase orders to orders@watersep.net, sales order confirmation to follow.

Investigator24 Steamer HF Cartridge

0.5 mm ID

AU XXX 05INV24 S3, 3/pkg

AU XXX 05INV24 S6, 6/pkg

1.0 mm ID

AU XXX 10INV24 S3, 3/pkg

AU XXX 10INV24 S6, 6/pkg

2.0 mm ID*

AU XXX 20INV24 S3, 3/pkg

AU XXX 20INV24 S6, 6/pkg

*Available in 10K, 30K, 50K, 300K - 750K and 0.1 μm - 0.45 μm

Replace XXX with:

003 for 3K 050 for 50K

005 for 5K 100 for 100K

010 for 10K 300 for 300K

750 for 750K

910 for 0.1 μm

920 for 0.2 μm

SPECIFICATIONS

Cartridge Dimensions

1.32" (3.34 cm) x 23.50" (59.70 cm)

Membrane Surface Area

2.90 ft² (0.27 m²)

Molecular Weight Cut-off

3K, 5K, 10K, 30K, 50K, 100K, 300K, 500K, 750K

Membrane Pore Size

0.1 μm , 0.2 μm and 0.45 μm ,

Fiber ID

0.5 mm, 1.0 mm, 2.0 mm

MATERIALS OF CONSTRUCTION

The cartridge as assembled is USP Class VI compliant.

Membrane:

Modified Polyethersulfone (m-PES)

Housing:

White Polysulfone

Encapsulant:

Epoxy

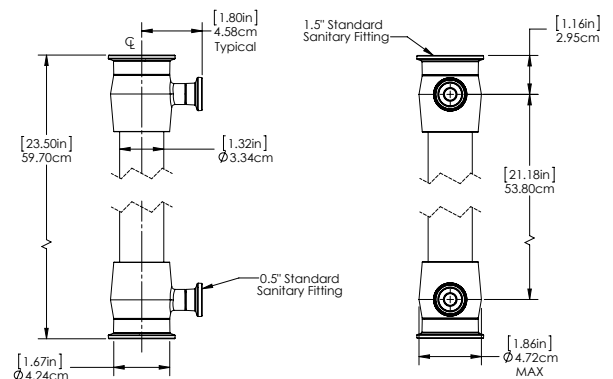
CONNECTIONS

Feed/Retentate

1.5" TC Standard Sanitary Fitting

Permeate

0.5" TC Standard Sanitary Fitting



Technical Support: experttalk@watersep.net
or call 508.970.0089 x 204.