

## ▲ mini-BioProducer12 Green

### Single Use Gamma Irradiated Hollow Fiber Cartridges. Easy and Reliable



The **mini-BioProducer Green** hollow fiber cartridges are designed for pilot and small production scale and are the perfect tools for process development. With a surface area of 0.63 m<sup>2</sup>, the **mini-BioProducer12 Green** HF cartridge can accommodate batch volumes between 5L and 50L with a typical permeate flow rate of 18.9-37.8 L/hr for ultrafiltration applications and 12.6-25.2 L/hr for microfiltration applications.

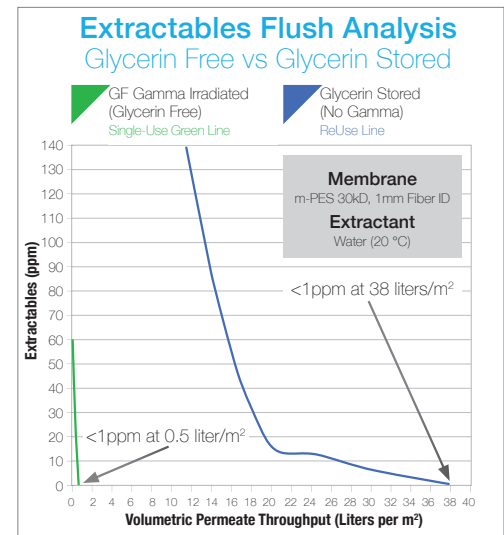
The **mini-BioProducer Green** cartridges utilize WaterSep's antifouling, low binding, modified polyethersulfone membrane (m-PES) which provides a process flux and product recovery that often exceeds other cross flow devices.

The **mini-BioProducer12 Green** hollow fiber cartridges are offered with the same path length as other high performance WaterSep HF cartridges, which makes scale up and scale down easy and predictable.

**Mini-BioProducer Green** cartridges are also offered as part of fully integrated open architecture single use cross flow assemblies available with pressure sensors, flow meters, pumps, aseptic connectors and/or bags.

The **mini-BioProducer12 Green** cartridges offer a true single use cross flow system that provides:

- Significant cost savings over traditional cassette formats.
- Gamma irradiated - ready to use - no pre-rinse.
- No humectants - 80% less extractables, see [Extractables Flush Analysis](#).
- No need for time-consuming cleaning validation.
- Reduced risk of cross contamination.
- Consistent membrane performance batch to batch.
- Self-contained – no assembly – no expensive hardware – no membrane installation.
- Every HF cartridge is integrity tested and has an individual lot number for easy traceability.



### TYPICAL APPLICATIONS

- Clarification of **mammalian/CHO** cell cultures and maximizing **protein recovery**.
- **Cell-harvest**. (Excellent results have been achieved with both *E. Coli* whole cells and *E. Coli* lysates, as well as other microbial process streams.)
- Concentration and purification of **vaccines**.
- Concentration and diafiltration of **gene therapy** products.
- Concentration/diafiltration of **monoclonal antibodies, recombinant proteins, biological macromolecules and peptides**.

## mini-BioProducer12 Green

### ORDERING INFORMATION

Place orders online at [www.watersep.net](http://www.watersep.net), or email purchase orders to [orders@watersep.net](mailto:orders@watersep.net), sales order confirmation to follow.

#### mini-BioProducer12 Green HF Cartridge

0.5 mm Fiber ID\*

SU XXX 05MPR12 S3, 3/pkg

SU XXX 05MPR12 S6, 6/pkg

\*Not available in 0.65  $\mu\text{m}$

1.0 mm Fiber ID

SU XXX 10MPR12 S3, 3/pkg

SU XXX 10MPR12 S6, 6/pkg

2.0 mm Fiber ID\*

SU XXX 20MPR12 S3, 3/pkg

SU XXX 20MPR12 S6, 6/pkg

\*Available in 10K, 50K, 300K - 750K and 0.1  $\mu\text{m}$  - 0.45  $\mu\text{m}$

Replace XXX with:

003 for 3K      100 for 100K      910 for 0.1  $\mu\text{m}$

005 for 5K      300 for 300K      920 for 0.2  $\mu\text{m}$

010 for 10K      500 for 500K      945 for 0.45  $\mu\text{m}$

030 for 30K      750 for 750K      965 for 0.65  $\mu\text{m}$

050 for 50K

### SPECIFICATIONS

Cartridge Dimensions

2.70" (6.86 cm) x 15.00" (38.10 cm)

Membrane Surface Area

6.78 ft<sup>2</sup> (0.63 m<sup>2</sup>)

Molecular Weight Cut-off

3K, 5K, 10K, 30K, 50K, 100K, 300K, 500K, 750K

Membrane Pore Size

0.1  $\mu\text{m}$ , 0.2  $\mu\text{m}$  and 0.45  $\mu\text{m}$ , 0.65  $\mu\text{m}$

Fiber ID

0.5 mm, 1.0 mm, 2.0 mm

### MATERIALS OF CONSTRUCTION

The cartridge as assembled is USP Class VI compliant.

Membrane

Modified Polyethersulfone (m-PES)

Housing

White Polysulfone

Encapsulant

Epoxy

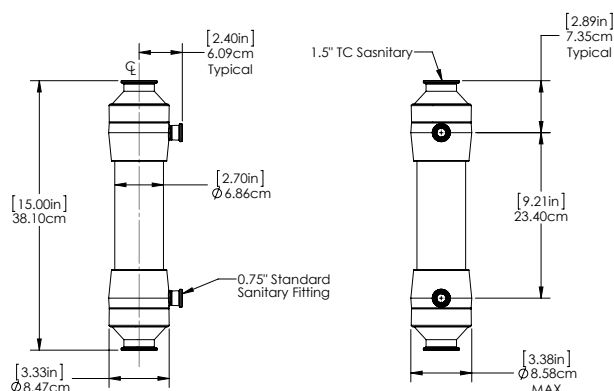
### CONNECTIONS

Feed/Retentate

1.5" TC Standard Sanitary Fitting

Permeate

0.75" TC Standard Sanitary Fitting



Technical Support: [experttalk@watersep.net](mailto:experttalk@watersep.net)  
or call 508.970.0089 x 204.