

Maximizer41 Green

Single Use Gamma Irradiated Hollow Fiber Cartridges. Easy and Reliable



The **Maximizer Green** production scale hollow fiber cartridges are designed for biopharmaceutical concentration/diafiltration and clarification unit operations. With a surface area of 10 m², the **Maximizer41 Green** HF cartridge can accommodate batch volumes between 300L and 1,000L in a single cartridge system, and several thousand liters with a multi cartridge set up. It has a typical process flow rate of 240-480 L/hr for ultrafiltration applications and 160-320 L/hr for microfiltration applications.

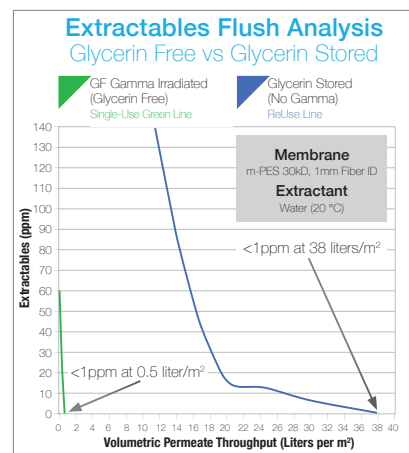
The **Maximizer Green** cartridges utilize WaterSep's antifouling, low binding, modified polyethersulfone membrane (m-PES) which provides a process flux and product recovery that exceeds other cross flow devices.

The **Maximizer41 Green** hollow fiber cartridges are offered with the same path length as other high performance WaterSep HF cartridges, which makes scale up and scale down easy and predictable.

Maximizer Green cartridges are also offered as part of fully integrated open architecture single use crossflow assemblies available with pressure sensors, flow meters, pumps, aseptic connectors and/or bags.

The **Maximizer41 Green** cartridges offer a true single use crossflow system that provides:

- Significant cost savings over traditional cassette formats.
- Gamma irradiated - ready to use - no pre-rinse.
- No humectants - 80% less extractables, see [Extractables Flush Analysis](#).
- No need for time-consuming cleaning validation.
- Reduced risk of cross contamination.
- Consistent membrane performance batch to batch.
- Self-contained – no assembly – no expensive hardware – no membrane installation.
- Every HF cartridge is integrity tested and has an individual lot number for easy traceability.



TYPICAL APPLICATIONS

- Clarification of **mammalian/CHO** cell cultures and maximizing **protein recovery**.
- **Cell-harvest**. (Excellent results have been achieved with both *E. Coli* whole cells and *E. Coli* lysates, as well as other microbial process streams.)
- Concentration and purification of **vaccines**.
- Concentration and diafiltration of **gene therapy** products.
- Concentration/diafiltration of **monoclonal antibodies, recombinant proteins, biological macromolecules and peptides**.



Maximizer41 Green

ORDERING INFORMATION

Place orders online at www.watersep.net, or email purchase orders to orders@watersep.net, sales order confirmation to follow.

Maximizer41 Green HF Cartridge

0.5 mm Fiber ID*

SU XXX 05MAX41 SH, 1/pkg

*Not available in 0.65 μ m

1.0 mm Fiber ID

SU XXX 10MAX41SH, 1/pkg

2.0 mm Fiber ID*

SU XXX 20MAX41 SH, 1/pkg

*Available in 10K, 50K, 300K - 750K and 0.1 μ m - 0.45 μ m

Replace XXX with:

003 for 3K	100 for 100K	910 for 0.1 μ m
005 for 5K	300 for 300K	920 for 0.2 μ m
010 for 10K	500 for 500K	945 for 0.45 μ m
030 for 30K	750 for 750K	965 for 0.65 μ m
050 for 50K		

SPECIFICATIONS

Cartridge Dimensions

4.62" (11.73 cm) x 46.50" (118.11 cm)

Membrane Surface Area

108 ft² (10 m²)

Molecular Weight Cut-off

3K, 5K, 10K, 30K, 50K, 100K, 300K, 500K, 750K

Membrane Pore Size

0.1 μ m, 0.2 μ m and 0.45 μ m, 0.65 μ m

Fiber ID

0.5 mm, 1.0 mm, 2.0 mm

MATERIALS OF CONSTRUCTION

The cartridge as assembled is USP Class VI compliant.

Membrane

Modified Polyethersulfone (m-PES)

Housing

White Polysulfone

Encapsulant

Epoxy

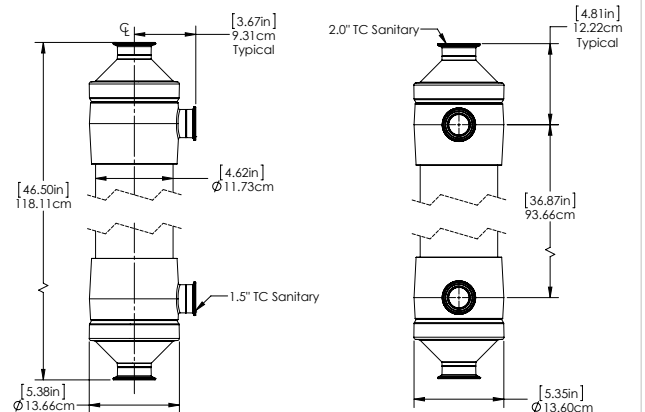
CONNECTIONS

Feed/Retentate

2.0" TC Standard Sanitary Fitting

Permeate

1.5" TC Standard Sanitary Fitting



Technical Support: experttalk@watersep.net
or call 508.970.0089 x 204.