

## ▲ BioProducer24 Green

### Single Use Gamma Irradiated Hollow Fiber Cartridges. Easy and Reliable



The BioProducer Green single use production scale hollow fiber cartridges are designed for biopharmaceutical concentration/diafiltration and clarification unit operations. With a surface area of 2.7 m<sup>2</sup>, the BioProducer24 Green HF cartridge can accommodate batch volumes between 50L and 250L with a typical permeate flow rate of 81-162 L/hr for ultrafiltration applications and 54-108 L/hr for microfiltration applications.

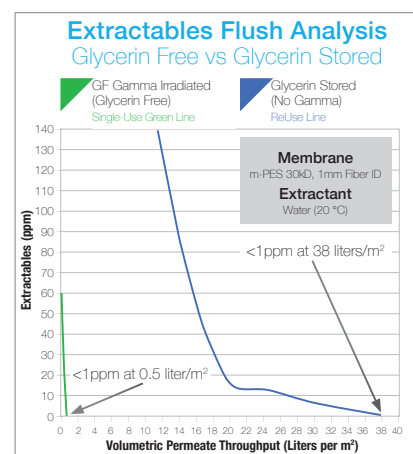
The BioProducer Green cartridges utilize WaterSep's humectant free, antifouling, low binding, modified polyethersulfone membrane (m-PES) which provides a process flux and product recovery that exceeds other crossflow devices.

The BioProducer24 Green hollow fiber cartridges are offered with the same path length as other high performance WaterSep HF cartridges, which makes scale up and scale down easy and predictable.

BioProducer Green cartridges are also offered as part of fully integrated open architecture single use crossflow assemblies available with pressure sensors, flow meters, pumps, aseptic connectors and/or bags.

The BioProducer24 Green cartridges offer a true single use crossflow system that provides:

- Significant cost savings over traditional cassette formats.
- Gamma irradiated - ready to use - no pre-rinse.
- No humectants - 80% less extractables, see [Extractables Flush Analysis](#).
- No time-consuming cleaning validation.
- Reduced risk of cross contamination.
- Consistent membrane performance batch to batch.
- Self-contained – no assembly – no expensive hardware – no membrane installation.
- Every HF cartridge is integrity tested and has an individual lot number for easy traceability.



### TYPICAL APPLICATIONS

- Clarification of **mammalian/CHO cell** cultures, providing maximum protein recovery.
- **Cell-harvest**. Excellent results have been achieved with both *E. Coli* whole cells and *E. Coli* lysates, as well as other microbial process streams.
- Concentration and purification of **vaccines**.
- Concentration and diafiltration of **gene therapy** products.
- Concentration/diafiltration of **monoclonal antibodies, recombinant proteins, biological macromolecules** and **peptides**.

## ▲ BioProducer24 Green

### ORDERING INFORMATION

Place orders online at [www.watersep.net](http://www.watersep.net), or email purchase orders to [orders@watersep.net](mailto:orders@watersep.net), sales order confirmation to follow.

#### BioProducer24 Green HF Cartridge

0.5 mm Fiber ID\*

SU XXX 05PR24 S3, 3/pkg

SU XXX 05PR24 S6, 6/pkg

\*Not available in 0.65  $\mu\text{m}$

1.0 mm Fiber ID

SU XXX 10PR24 S3, 3/pkg

SU XXX 10PR24 S6, 6/pkg

2.0 mm Fiber ID\*

SU XXX 20PR24 S3, 3/pkg

SU XXX 20PR24 S6, 6/pkg

29.05 ft<sup>2</sup> (2.70 m<sup>2</sup>)

\*Available in 10K, 50K, 300K - 750K and 0.1  $\mu\text{m}$  - 0.45  $\mu\text{m}$

Replace XXX with:

003 for 3K	100 for 100K	910 for 0.1 $\mu\text{m}$
005 for 5K	300 for 300K	920 for 0.2 $\mu\text{m}$
010 for 10K	500 for 500K	945 for 0.45 $\mu\text{m}$
030 for 30K	750 for 750K	965 for 0.65 $\mu\text{m}$
050 for 50K		

### SPECIFICATIONS

Cartridge Dimensions

3.50" (8.89 cm) x 26.50" (67.30 cm)

Membrane Surface Area

29.05 ft<sup>2</sup> (2.70 m<sup>2</sup>)

Molecular Weight Cut-off

3K, 5K, 10K, 30K, 50K, 100K, 300K, 500K, 750K

Membrane Pore Size

0.1  $\mu\text{m}$ , 0.2  $\mu\text{m}$  and 0.45  $\mu\text{m}$ , 0.65  $\mu\text{m}$

Fiber ID

0.5 mm, 1.0 mm, 2.0 mm

### MATERIALS OF CONSTRUCTION

The cartridge as assembled is USP Class VI compliant.

Membrane

Modified Polyethersulfone (m-PES)

Housing

White Polysulfone

Encapsulant

Epoxy

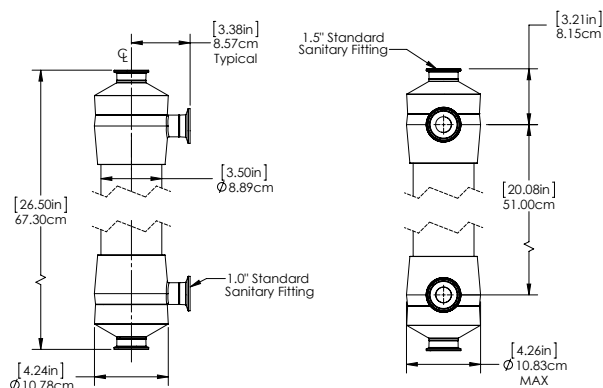
### CONNECTIONS

Feed/Retentate

1.5" TC Standard Sanitary Fitting

Permeate

1.0" TC Standard Sanitary Fitting



Technical Support: [experttalk@watersep.net](mailto:experttalk@watersep.net)  
or call 508.970.0089 x 204.