

WaterSep

BeviProducer 12

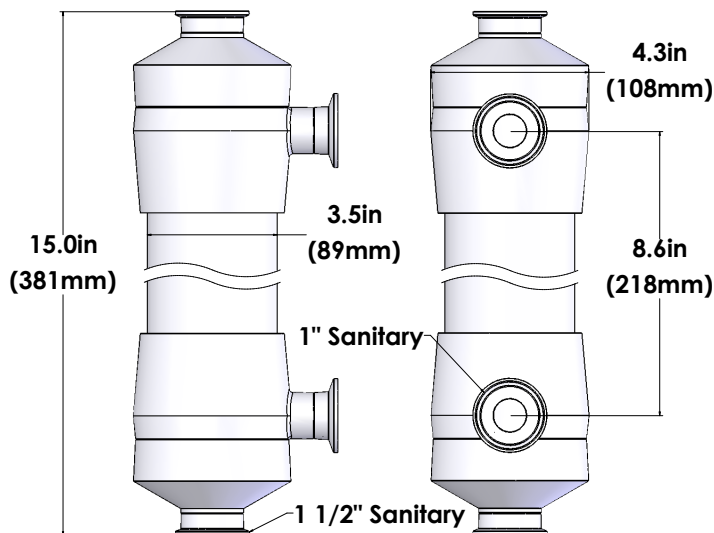
The BeviProducer series is a group of hollow fiber cartridges specifically designed for clarification and concentration applications in the food and beverage and dairy market utilizing the WaterSep antifouling, high capacity polyethersulfone (PES) membrane.

TYPICAL APPLICATIONS ARE:

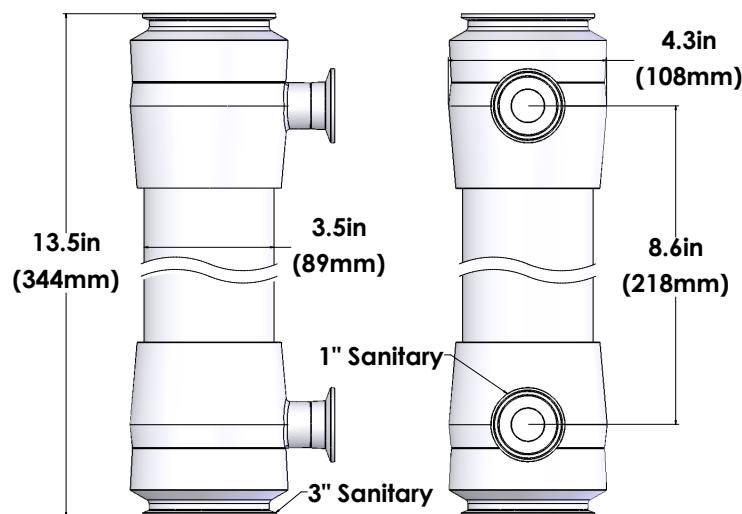
- CLARIFICATION OF WINE, BEER, VINEGAR AND FRUIT JUICES
- CONCENTRATION OF FOOD BASED PROTEINS AND ADDITIVES, WHEY PROTEINS ETC.

The hollow fiber membrane has very strong mechanical properties and the antifouling characteristics makes it ideal for process streams containing fat and lipids.

Recommended batch volumes per cartridge 20-80L or 10-30L/h.



BeviProducer 12 with 1.5" connection



BeviProducer 12 with 3" connection

CATALOG NUMBER:

Replace XXX with 010 for 10K, 030 for 30K, 050 for 50K, 100 for 100K, 300 for 300K, 500 for 500K, 750 for 750K, 990 for 0.1µm.

FA XXX 10 PRO 12 SG
[GE Healthcare retrofit]

FA XXX 10 PRO 12 SK
[Koch Membrane Systems retrofit]

CARTRIDGE DIMENSIONS: 3.5"(89mm)x 15.0" (381mm)
3.5"(89mm)x 13.5" (344mm)

MEMBRANE SURFACE AREA: 13.5ft² (1.25m²)

MATERIALS OF CONSTRUCTION
MEMBRANE AND CUT-OFF: Modified-PES; 10K, 30K, 50K, 100K, 300K, 500K, 750K, and 0.1 µm..

HOUSING: White polysulfone
ENCAPSULANT: FDA-compliant urethane

CONNECTIONS
FEED/RETENTATE: 1 1/2" TC alt. 3" TC
PERMEATE: 1" TC