

▲ Explorer12 Green

Single Use Gamma Irradiated Hollow Fiber Cartridges

Easy and Reliable



The Explorer12 Green hollow fiber membrane cartridges are designed for medium scale biopharmaceutical laboratory applications for volumes that range from 150 ml to 750 ml, with a final retentive volume of less than 35 ml. The Explorer12 Green cartridges have a membrane surface area of 155 cm², providing a typical permeate flow rate of 47-93 ml/hr for ultrafiltration applications and 31-62 ml/hr for microfiltration applications.

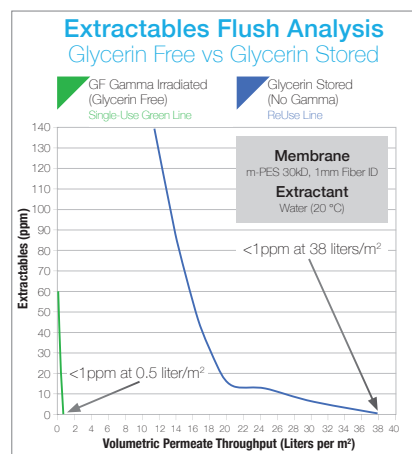
The Explorer Green cartridges require no assembly or prerinsing and incorporate WaterSep's low binding, antifouling, modified polyethersulfone membrane (m-PES), which provides high process flux and total capacity with short process times and nearly 100% product recovery.

The fluid path length for the Explorer12 Green cartridges is similar to all other WaterSep 12" (30 cm) hollow fiber cartridges making scale up/scale down very easy and predictable.

Explorer Green cartridges are also offered as part of fully integrated open architecture single use crossflow assemblies available with pressure sensors, flow meters, pumps, aseptic connectors and/or bags.

The Explorer12 Green cartridges offer a true single use crossflow system that provides:

- Significant cost savings over traditional cassette formats.
- Gamma irradiated - ready to use - no pre-rinse.
- No humectants - 80% less extractables, see [Extractables Flush Analysis](#).
- No need for time-consuming cleaning validation.
- Reduced risk of cross contamination.
- Consistent membrane performance batch to batch.
- Self-contained – no assembly – no expensive hardware – no membrane installation.
- Every HF cartridge is integrity tested and has an individual lot number for easy traceability.



TYPICAL APPLICATIONS

- Clarification of **mammalian/CHO** cell cultures and maximizing **protein recovery**.
- **Cell-harvest**. (Excellent results have been achieved with both *E. Coli* whole cells and *E. Coli* lysates, as well as other microbial process streams.)
- Concentration and purification of **vaccines**.
- Concentration and diafiltration of **gene therapy** products.
- Concentration/diafiltration of **monoclonal antibodies, recombinant proteins, biological macromolecules** and **peptides**.

Explorer12 Green

ORDERING INFORMATION

Place orders online at www.watersep.net, or email purchase orders to orders@watersep.net, sales order confirmation to follow.

Explorer12 Green HF Cartridge

0.5 mm Fiber ID*

SU XXX 05EXP12 S6, 6/pkg

SU XXX 05EXP12 SD, 12/pkg

*Not available in 0.65 μ m

1.0 mm Fiber ID

SU XXX 10EXP12 S6, 6/pkg

SU XXX 10EXP12 SD, 12/pkg

2.0 mm Fiber ID*

SU XXX 20EXP12 S6, 6/pkg

SU XXX 20EXP12 SD, 12/pkg

*Available in 10K, 50K, 300K - 750K and 0.1 μ m - 0.45 μ m

Replace XXX with:

003 for 3K 100 for 100K 910 for 0.1 μ m

005 for 5K 300 for 300K 920 for 0.2 μ m

010 for 10K 500 for 500K 945 for 0.45 μ m

030 for 30K 750 for 750K 965 for 0.65 μ m

050 for 50K

SPECIFICATIONS

Cartridge Dimensions

0.5" (12.7 mm) x 12" (305 mm)

Membrane Surface Area

0.167 ft² (155 m²)

Molecular Weight Cut-off

3K, 5K, 10K, 30K, 50K, 100K, 300K, 500K, 750K

Membrane Pore Size

0.1 μ m, 0.2 μ m and 0.45 μ m, 0.65 μ m

Fiber ID

0.5 mm, 1.0 mm, 2.0 mm

MATERIALS OF CONSTRUCTION

The cartridge as assembled is USP Class VI compliant.

Membrane

Modified Polyethersulfone (m-PES)

Housing

White Polysulfone

Encapsulant

USP Class VI-Compliant Epoxy

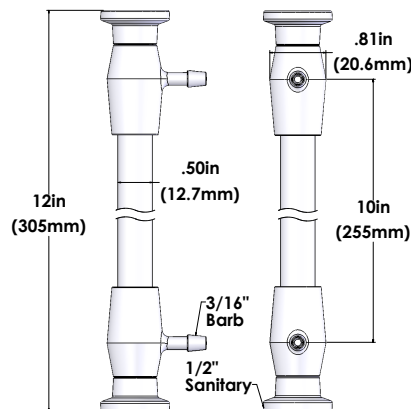
CONNECTIONS

Feed/Retentate

0.5" TC Sanitary Fitting

Permeate

3/16" Hose Barb



Technical Support: experttalk@watersep.net
or call 508.970.0089 x 204.