

Investigator41 Steamer

Autoclavable, Gamma Irradiated Hollow Fiber Cartridges Easy and Reliable



Investigator Steamer hollow fiber membrane products incorporate our latest glycerin free low extractables, heat resistant modified polyethersulfone (m-PES) membrane technology. All **Steamer** products are gamma irradiated and ready to use without any tedious pre-rinse. The **Steamer** HF cartridges are the product of choice for perfusion applications. They can be repetitively autoclaved in an ATF perfusion unit or as a stand alone HF cartridge and of course also in a tubing assembly. Please contact us for the correct **Steamer** product for ATF 2-10 models at experttalk@WaterSep.net. The **Investigator Steamer** is also available as a single use assembly for crossflow perfusion applications.

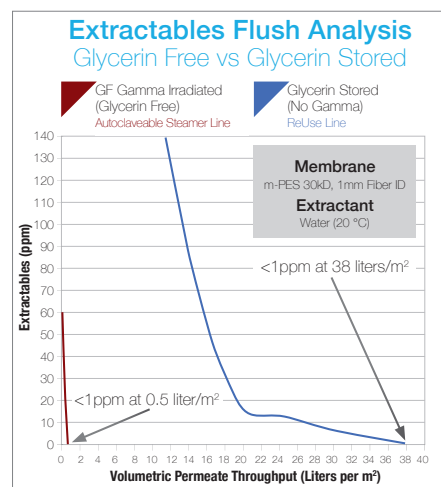
The extractables level for the **Investigator Steamer** is approximately 80x less than a glycerin conditioned membrane, see [Extractables Flush Analysis](#). After a quick buffer conditioning the HF cartridge is ready to be used or autoclaved. For autoclaving directions, please see the Steamer Validation Guide at www.WaterSep.net.

The **Investigator41 Steamer** crossflow hollow fiber membrane cartridges are positioned between the pilot scale **Researcher Steamer** and the production scale **mini-BioProducer Steamer** cartridges. With a surface area of 5000 cm², the **Investigator41 Steamer** can accommodate batch volumes that range from 3L to 25L with a typical permeate flow rate of 15-30 L/hr for ultrafiltration applications and 10-20 L/hr for microfiltration applications.

The **Investigator41 Steamer** hollow fiber cartridge products are in most applications superior to conventional techniques, like centrifugation, depth filters, cassette crossflow systems or dialysis bags.

The **Investigator41 Steamer** cartridges offer true ready to use crossflow filtration that is:

- Gamma irradiated - ready to use - no rinse.
- Humectant free - 80% less extractables, see [Extractables Flush Analysis](#).
- Free of time-consuming cleaning validation.
- At a reduced risk of cross contamination.
- Consistent, membrane performance batch to batch.
- Self-contained and requires no assembly, no expensive hardware and no membrane installation.
- Significantly less expensive than traditional cassette formats.
- Offered in the same path length as all other WaterSep 41" hollow fiber cartridges for exact and predictable scale up and scale down.
- Every HF cartridge is integrity tested and has an individual lot number for easy traceability.



TYPICAL APPLICATIONS

- **Cell perfusion** with an ATF system or conventional pump operated perfusion. (Bioreactor and **Steamer** hollow fiber assemblies can be autoclaved simultaneously.)
- Pilot scale **aseptic/sterile UF-MF applications** where autoclaving is required.
- Rapid clarification of volumes ranging from 3L to 25L of **cell culture, fermentation solutions** and **virus/vaccine suspensions**.
- Concentration and diafiltration of **monoclonal antibodies, enzymes, blood components, other proteins, and gene therapy products**.

Investigator41 Steamer

ORDERING INFORMATION

Place orders online at www.watersep.net, or email purchase orders to orders@watersep.net, sales order confirmation to follow.

Investigator41 Steamer HF Cartridge

0.5 mm ID

AU XXX 05INV41 S3, 3/pkg

AU XXX 05INV41 S6, 6/pkg

1.0 mm ID

AU XXX 10INV41 S3, 3/pkg

AU XXX 10INV41S6, 6/pkg

2.0 mm ID*

AU XXX 20INV41 S3, 3/pkg

AU XXX 20INV41 S6, 6/pkg

*Available in 10K, 30K, 50K, 300K - 750K and 0.1 μm - 0.45 μm

Replace XXX with:

003 for 3K	050 for 50K	750 for 750K
005 for 5K	100 for 100K	910 for 0.1 μm
010 for 10K	300 for 300K	920 for 0.2 μm
030 for 30K	500 for 500K	945 for 0.45 μm

SPECIFICATIONS

Cartridge Dimensions

1.32" (3.34 cm) x 41.50" (105.40 cm)

Membrane Surface Area

5.38 ft² (0.5 m²)

Molecular Weight Cut-off

3K, 5K, 10K, 30K, 50K, 100K, 300K, 500K, 750K

Membrane Pore Size

0.1 μm , 0.2 μm and 0.45 μm

Fiber ID

0.5 mm, 1.0 mm, 2.0 mm

MATERIALS OF CONSTRUCTION

The cartridge as assembled is USP Class VI compliant.

Membrane:

Modified Polyethersulfone (m-PES)

Housing:

White Polysulfone

Encapsulant:

Epoxy

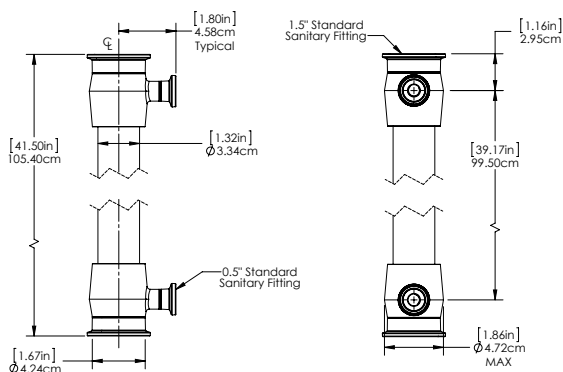
CONNECTIONS

Feed/Retentate

1.5" TC Standard Sanitary Fitting

Permeate

0.5" TC Standard Sanitary Fitting



Technical Support: experttalk@watersep.net
or call 508.970.0089 x 204.